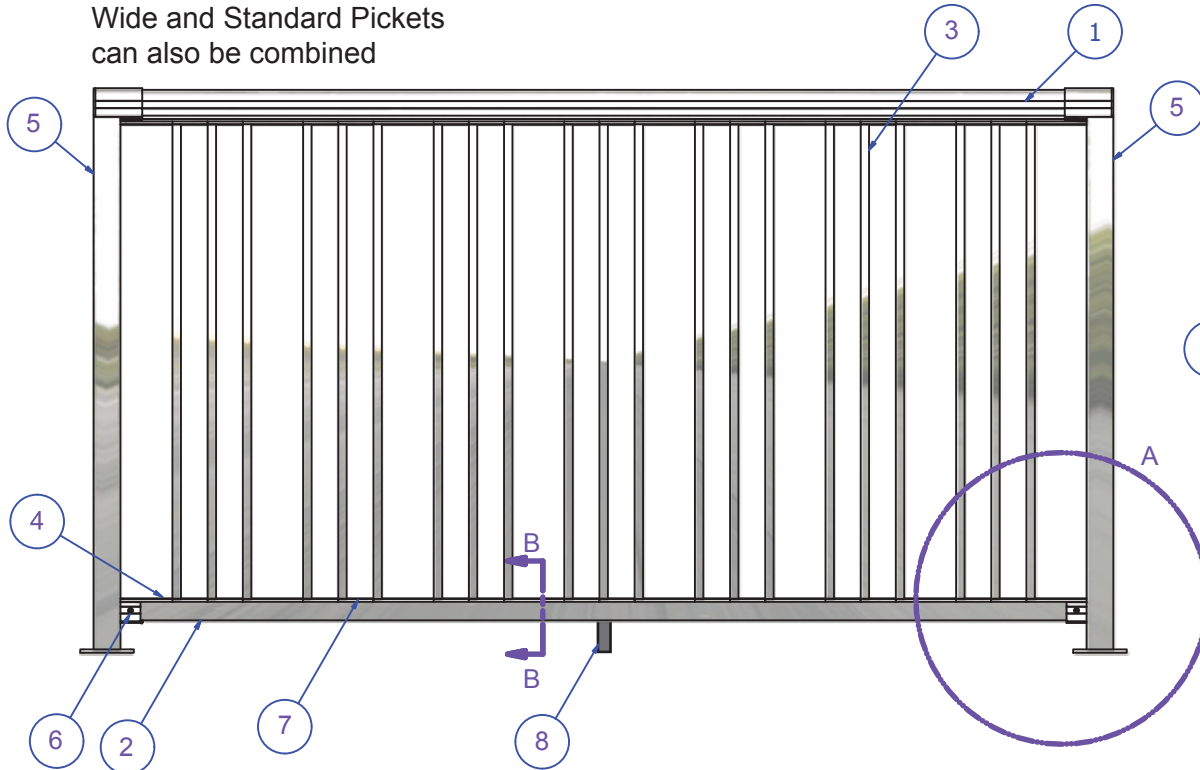


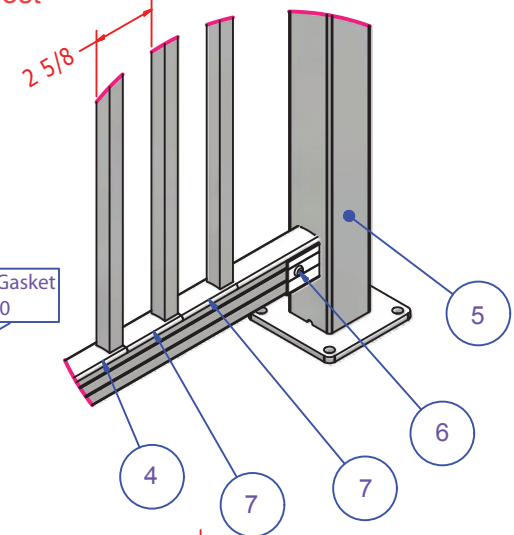
# Design Idea #1: Triple Picket

Wide and Standard Pickets can also be combined

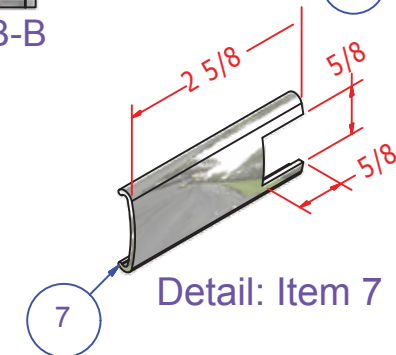


For a great finishing detail, don't forget Base Plate Covers to hide the post mounting screws, Part # 7743.

Detail A



Section B-B



Item	Qty	Part #	Description
1 & 2	1	7457	Top Rail & Bottom Rail, includes Pt#2110 Picket Gasket
3	21	7739	Picket
4	16	7406	Picket Spacer
5	2	7468	2in End Post
6	8	2027	#10 Pan Head Tech Screw
7	28	7406	Picket Spacer Cut to 2 5/8in.
8	-	7480	Picket Leg (optional)

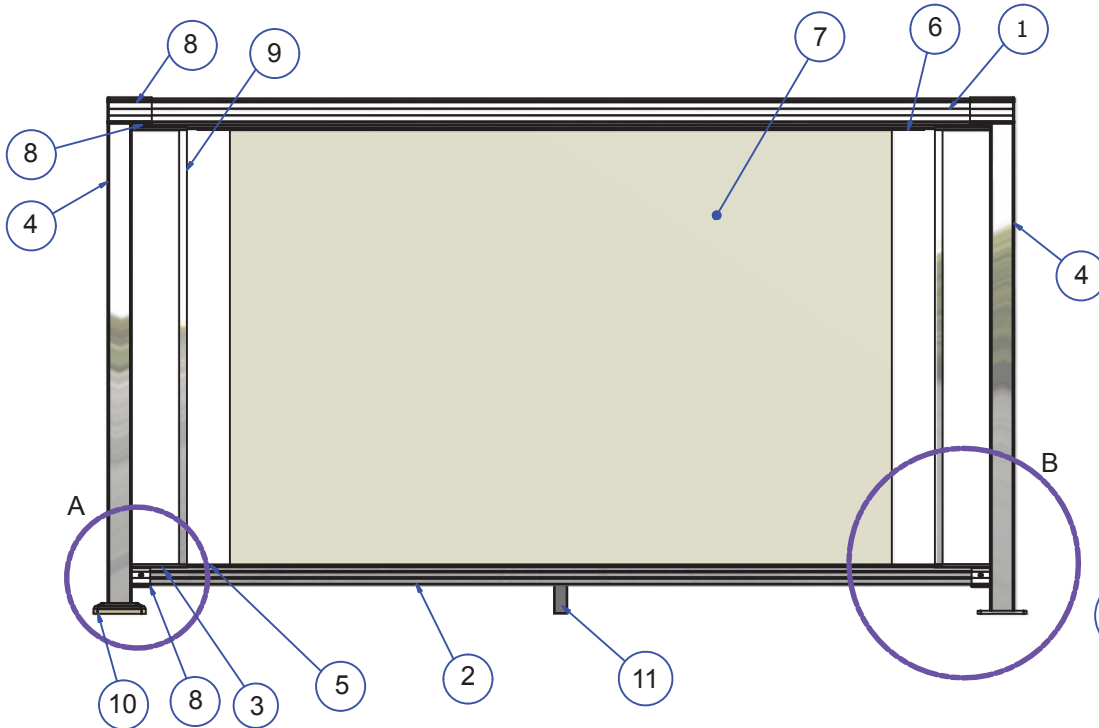
**IMPORTANT:** Before starting your ProBuilt Railing project, please ensure to check your local building codes and building permit requirements prior to installation. Building codes may vary. Always comply with all applicable building codes. Please check areas to be drilled are free from utilities, services and hazards. No member of BW Creative Wood Industries Ltd (BWC) or the Dealer shall be liable for any loss or damage resulting from the improper installation or use of this product. If any member of BWC or the Dealer becomes liable for any loss or damage, the aggregate liability of BWC company shall be limited to the retail purchase price of that product. For further information, please consult your authorized ProBuilt Dealer.

**Failure to follow these instructions could result in serious injury or death!**

This diagram demonstrates a 42" high railing system. ProBuilt Railing is also available in a 36" rail system. Ask your ProBuilt Railing Dealer for product information.

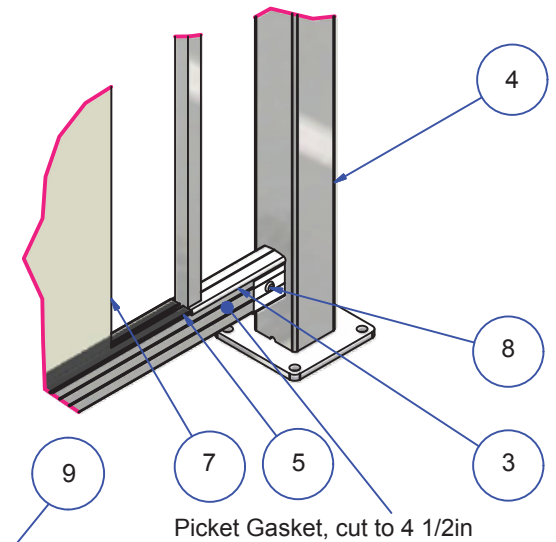
For more information about ProBuilt Railing and our Dealer Locator, please visit [www.ProBuiltRailings.com](http://www.ProBuiltRailings.com).

# Design Idea #2: Glass/Picket Combination Railing

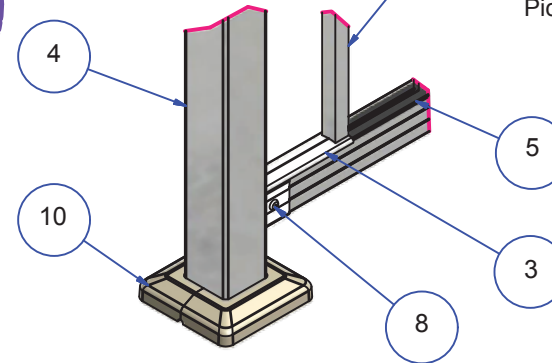


For a great finishing detail, don't forget Base Plate Covers to hide post mounting screws, Part # 7743.

Detail B



Picket Gasket, cut to 4 1/2in



Detail A

This diagram demonstrates a 42" high railing system. ProBuilt Railing is also available in a 36" rail system. Ask your ProBuilt Railing Dealer for product information.

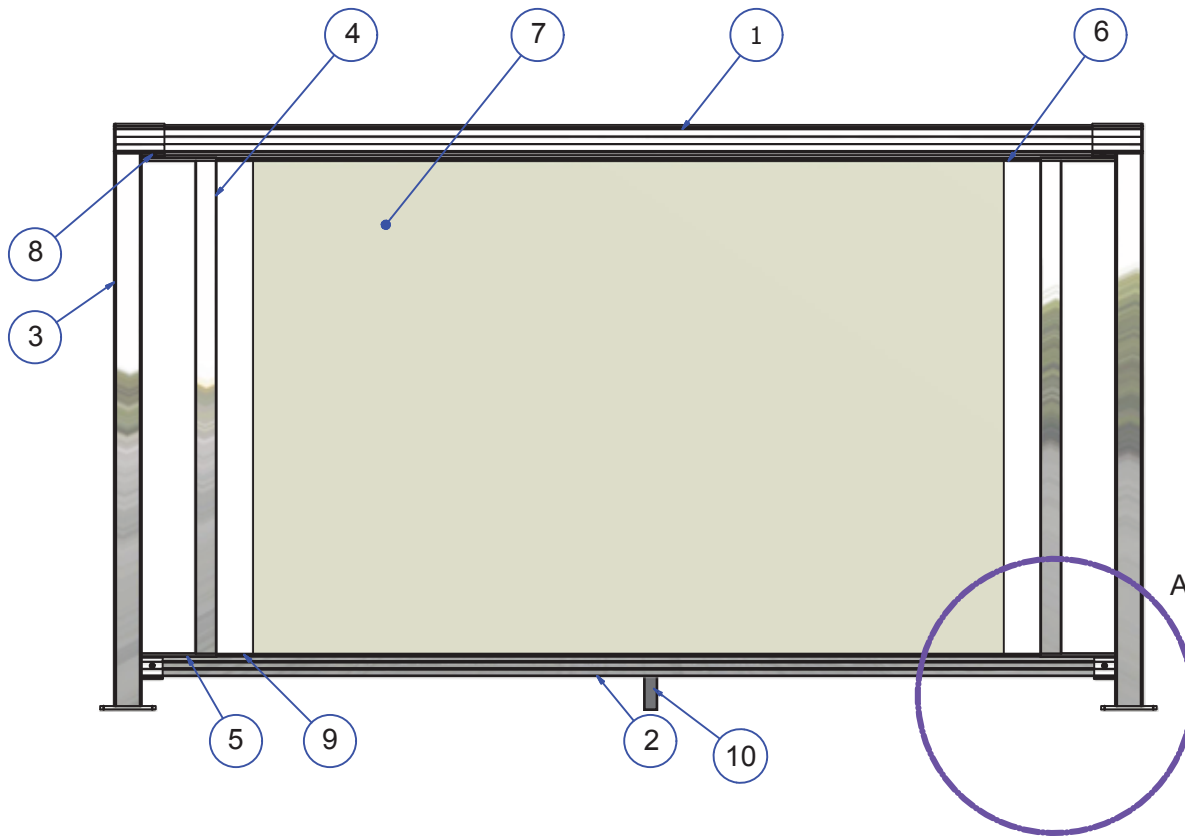
Item	Qty	Part #	Description
1 & 2	1	7457	Top Rail & Bottom Rail, includes Part# 2110 Picket Gasket
3	4	7406	Picket Spacer
4	2	7468	2in End Post
5	1	2109	Bottom Glass Gasket
6	1	2108	Top Glass Gasket
7	1	****	6mm Tempered Glass
8	8	2027	#10 Pan Head Tech Screw
9	2	7739	Picket
10	2	7743	Base Plate Cover (2" Post)
11	-	7480	Picket Leg (optional)

**IMPORTANT:** Before starting your ProBuilt Railing project, please ensure to check your local building codes and building permit requirements prior to installation. Building codes may vary. Always comply with all applicable building codes. Please check areas to be drilled are free from utilities, services and hazards. No member of BW Creative Wood Industries Ltd (BWC) or the Dealer shall be liable for any loss or damage resulting from the improper installation or use of this product. If any member of BWC or the Dealer becomes liable for any loss or damage, the aggregate liability of BWC company shall be limited to the retail purchase price of that product. For further information, please consult your authorized ProBuilt Dealer.

**Failure to follow these instructions could result in serious injury or death!**

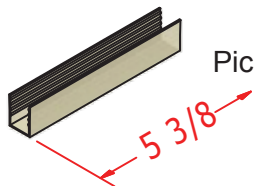
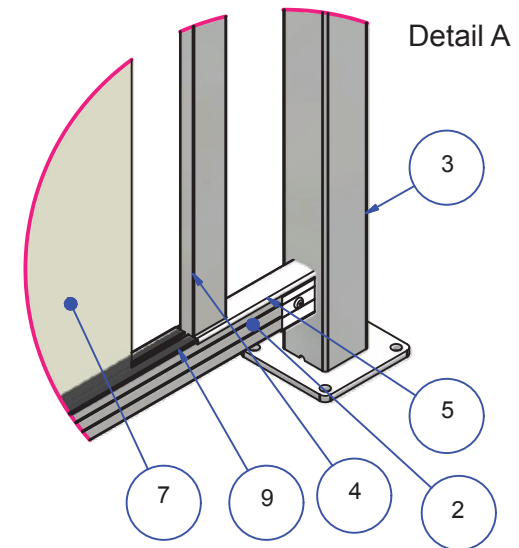


# Design Idea #3: Glass Wide Picket Combination Railing



Item	Qty	Part #	Description
1 & 2	1	7457	Top Rail & Bottom Rail, includes Part# 2110 Picket Gasket
3	2	7739	2in End Post
4	2	1022	Wide Picket
5	4	6776	Wide Picket Spacer
6	1	2108	Top Glass Gasket
7	1	****	6mm Tempered Glass
8	8	2027	#10 Pan Head Tech Screw
9	1	2109	Bottom Glass Gasket
10	-	7480	Picket Leg (optional)

For a great finishing detail, don't forget Base Plate Covers to hide post mounting screws, Part # 7743.



Picket Gasket Cut to 5 3/8in.

**IMPORTANT:** Before starting your ProBuilt Railing project, please ensure to check your local building codes and building permit requirements prior to installation. Building codes may vary. Always comply with all applicable building codes. Please check areas to be drilled are free from utilities, services and hazards. No member of BW Creative Wood Industries Ltd (BWC) or the Dealer shall be liable for any loss or damage resulting from the improper installation or use of this product. If any member of BWC or the Dealer becomes liable for any loss or damage, the aggregate liability of BWC company shall be limited to the retail purchase price of that product. For further information, please consult your authorized ProBuilt Dealer.

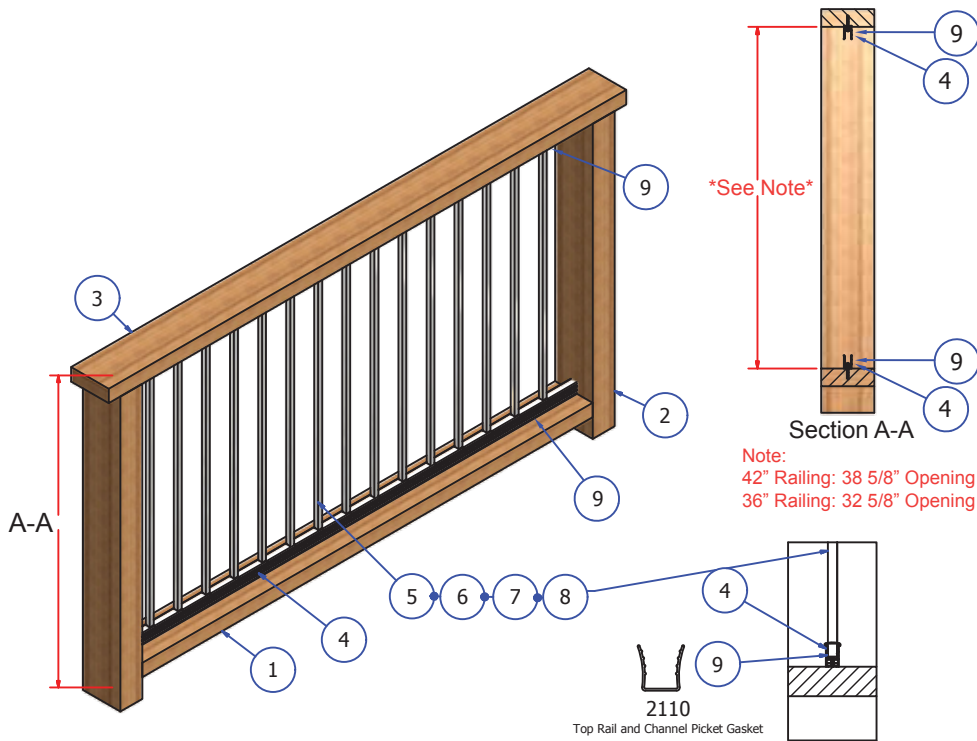
**Failure to follow these instructions could result in serious injury or death!**

This diagram demonstrates a 42" high railing system. ProBuilt Railing is also available in a 36" rail system. Ask your ProBuilt Railing Dealer for product information.

For more information about ProBuilt Railing and our Dealer Locator, please visit [www.ProBuiltRailings.com](http://www.ProBuiltRailings.com).



# Design Idea #4: Picket Railing on Wood Frame - Top & Bottom Railing

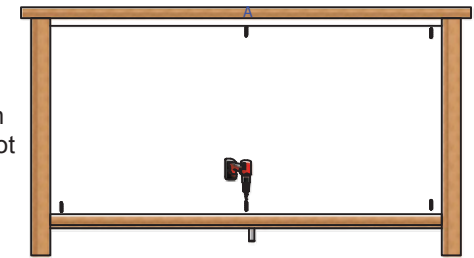


Item	Qty	Part #	Description
1	1	N/A	Wood Bottom Rail
2	2	N/A	Wood Post
3	1	N/A	Wood Top Rail
4	2	2102	Bottom Rail per foot, measure accordingly
5	1	7739	42in. Picket Package 4ft (Includes 10 Pickets, 22 Spacers)
6	1	7750	36in. Picket Package 4ft (Includes 10 Pickets, 22 Spacers)
7	1	7461	42in. Picket Package 6ft (Includes 15 Pickets, 32 Spacers)
8	1	6801	36in. Picket Package 6ft (Includes 15 Pickets, 32 Spacers)
9	2	2110	Picket Gasket

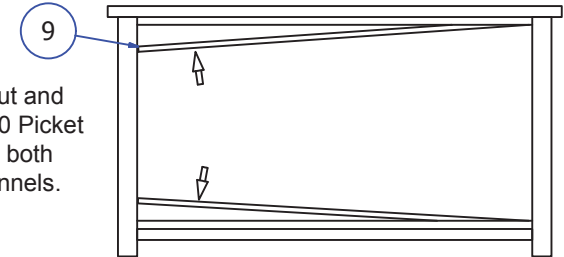
**IMPORTANT:** Before starting your ProBuilt Railing project, please ensure to check your local building codes and building permit requirements prior to installation. Building codes may vary. Always comply with all applicable building codes. Please check areas to be drilled are free from utilities, services and hazards. No member of BW Creative Wood Industries Ltd (BWC) or the Dealer shall be liable for any loss or damage resulting from the improper installation or use of this product. If any member of BWC or the Dealer becomes liable for any loss or damage, the aggregate liability of BWC company shall be limited to the retail purchase price of that product. For further information, please consult your authorized ProBuilt Dealer.

**Failure to follow these instructions could result in serious injury or death!**

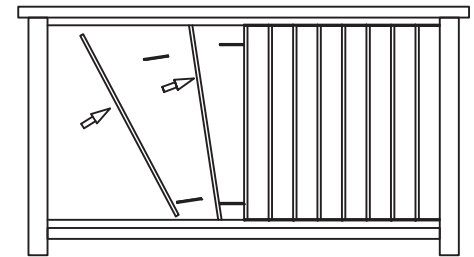
**Step 1:** Measure, cut and install #2102 bottom channels (screws not included).



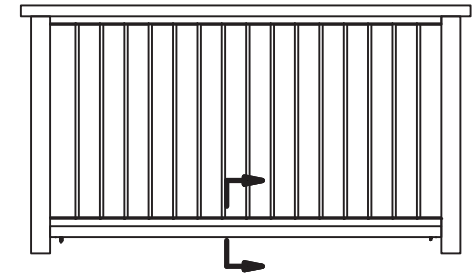
**Step 2:** Measure, cut and install #2110 Picket Gasket into both bottom channels.



**Step 3:** Install Pickets and Spacers



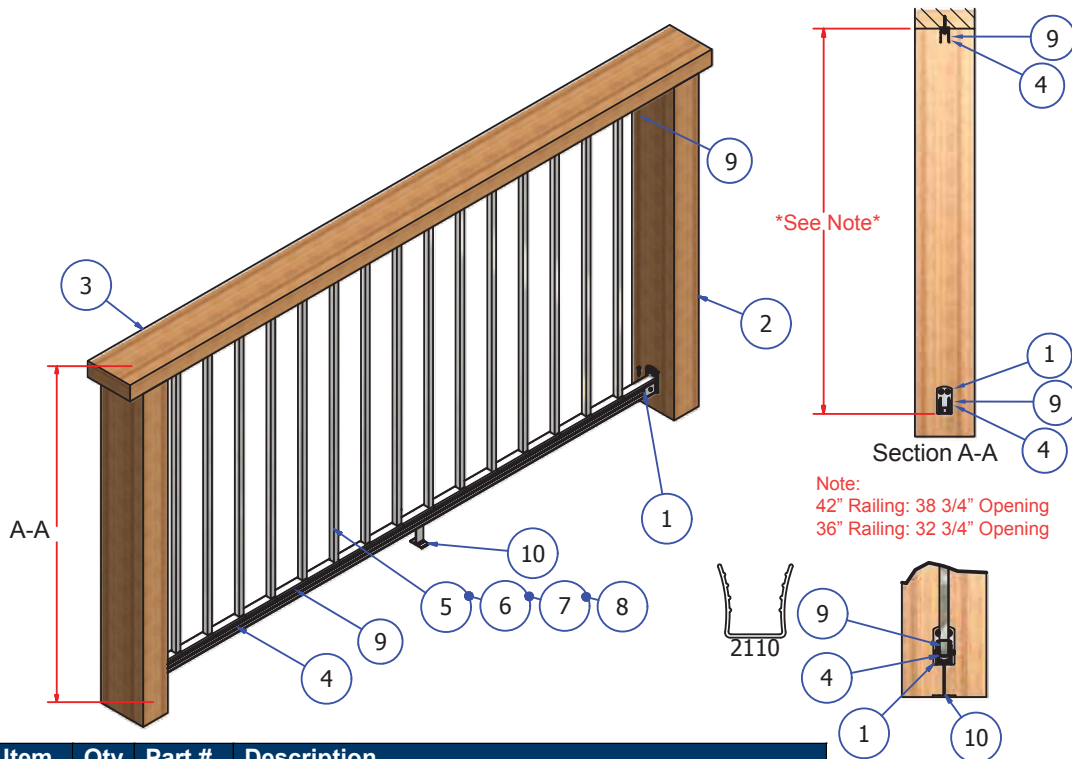
Installation Completed



For more information about ProBuilt Railing and our Dealer Locator, please visit [www.ProBuiltRailings.com](http://www.ProBuiltRailings.com).



## Design Idea #5 - Picket Railing on Wood Frame - Top Rail Only



Note:  
42" Railing: 38 3/4" Opening  
36" Railing: 32 3/4" Opening

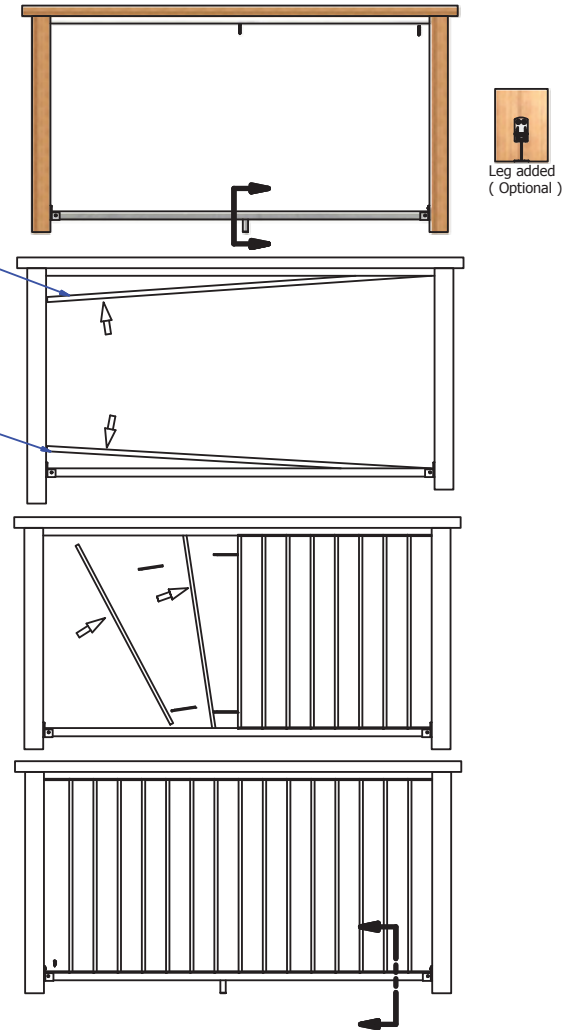
Item	Qty	Part #	Description
1	2	7454	Channel Sleeve Clip
2	2	N/A	Wood Post
3	1	N/A	Wood Top Rail
4	2	2102	Bottom Rail per foot, measure accordingly
5	1	7739	42in. Picket Package 4ft (Includes 10 Pickets, 22 Spacers)
6	1	7750	36in. Picket Package 4ft (Includes 10 Pickets, 22 Spacers)
7	1	7461	42in. Picket Package 6ft (Includes 15 Pickets, 32 Spacers)
8	1	6801	36in. Picket Package 6ft (Includes 15 Pickets, 32 Spacers)
9	2	2110	Picket Gasket
10	-	7480	Picket Leg (Optional)

**Step 1:** Measure, cut and install #2102 bottom channels on top and bottom (screws not included).

**Step 2:** Measure, cut and install #2110 Picket Gasket into both bottom channels.

**Step 3:** Install Pickets and Spacers

Installation Completed

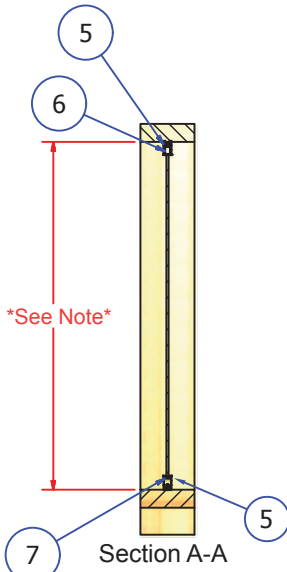
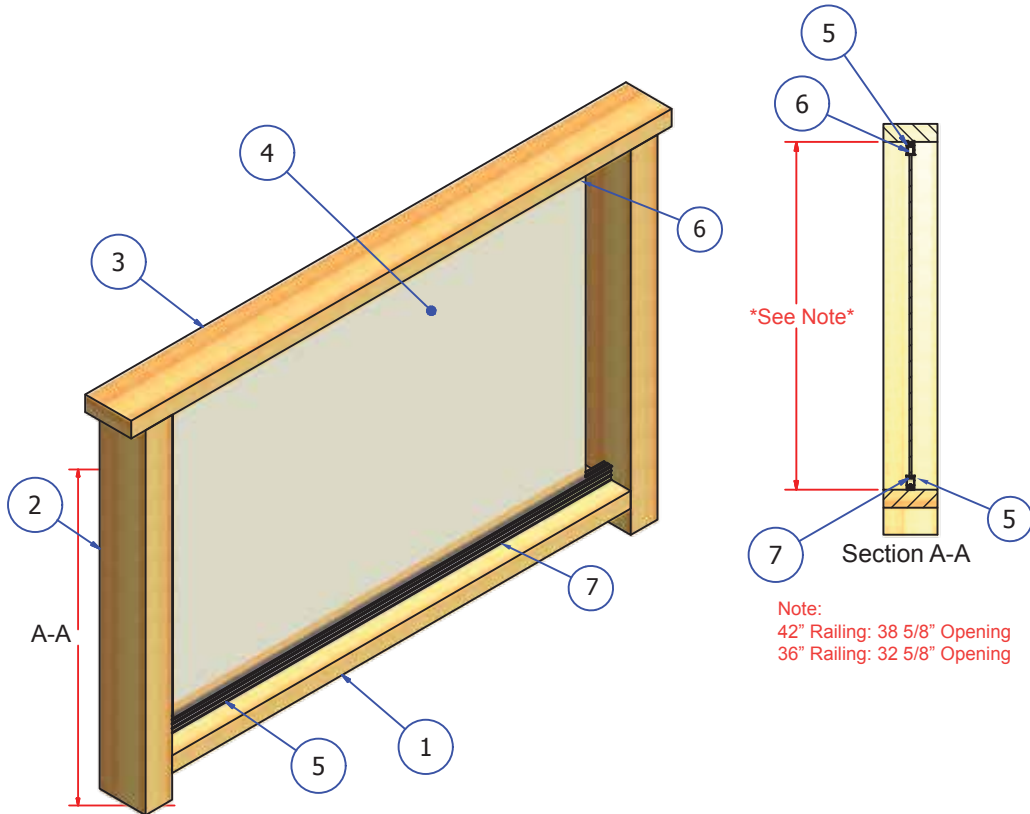


**IMPORTANT:** Before starting your ProBuilt Railing project, please ensure to check your local building codes and building permit requirements prior to installation. Building codes may vary. Always comply with all applicable building codes. Please check areas to be drilled are free from utilities, services and hazards. No member of BW Creative Wood Industries Ltd (BWC) or the Dealer shall be liable for any loss or damage resulting from the improper installation or use of this product. If any member of BWC or the Dealer becomes liable for any loss or damage, the aggregate liability of BWC company shall be limited to the retail purchase price of that product. For further information, please consult your authorized ProBuilt Dealer.

**Failure to follow these instructions could result in serious injury or death!**



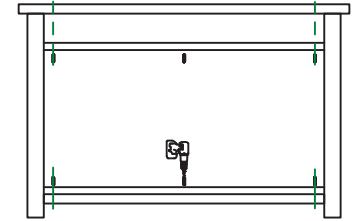
# Design Idea #6 - Glass Railing on Wood Frame



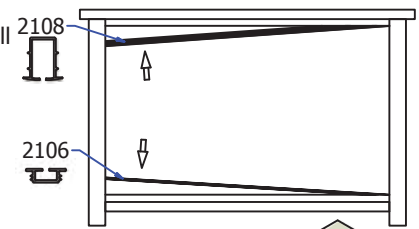
Note:  
42" Railing: 38 5/8" Opening  
36" Railing: 32 5/8" Opening

Item	Qty	Part #	Description
1	1	N/A	Wood Bottom Rail
2	2	N/A	Wood Post
3	1	N/A	Wood Top Rail
4	1	****	6mm Tempered Glass
5	2	2102	Bottom Rail per foot, measure accordingly
6	1	2108	Top Glass Gasket
7	1	2106	Bottom Glass Gasket

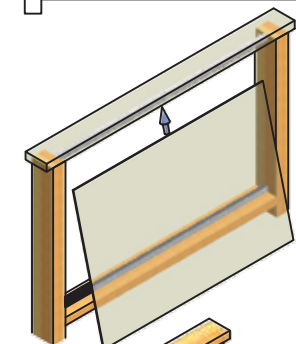
**Step 1:** Measure, cut and install #2102 Bottom Channels (screws not included).



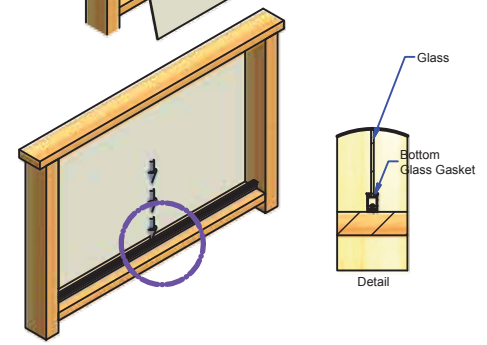
**Step 2:** Measure, cut and install #2108, #2106 Top and Bottom Glass Gasket into the Bottom Channels.



**Step 3:** Starting at one end of glass, snap in over the openings into the Top Glass Gasket.



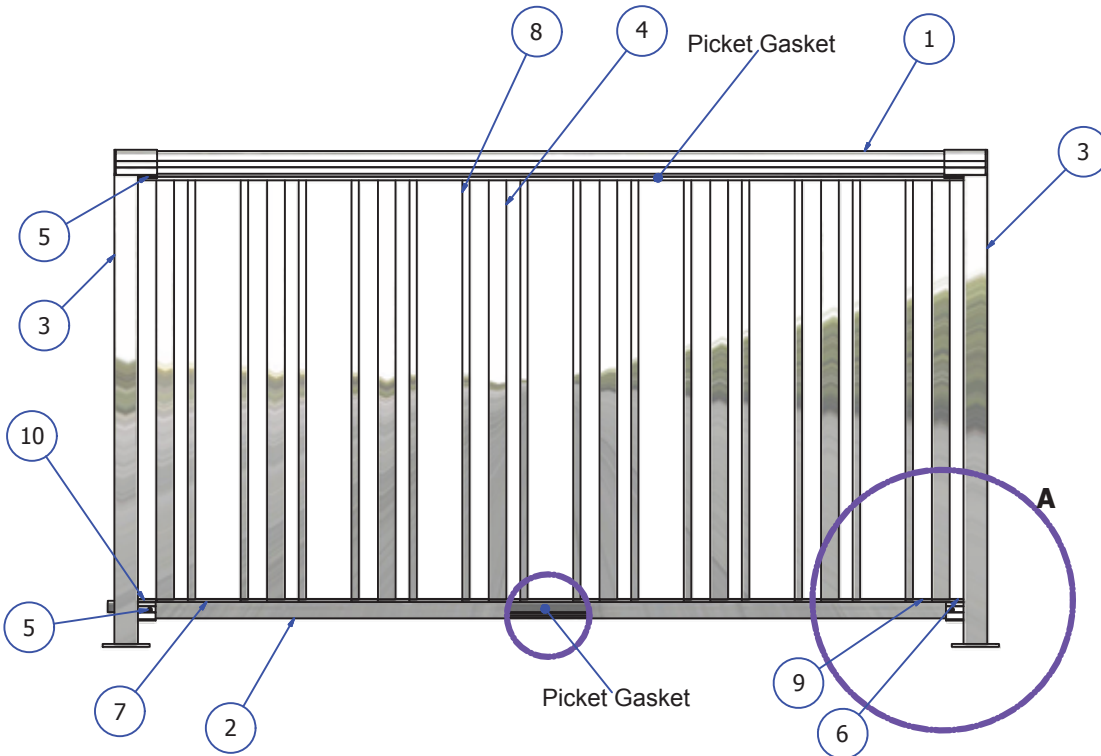
**Step 4:** Hold and press down at one end of glass, snap in over the openings into the Bottom Glass Gasket. Installation Completed.



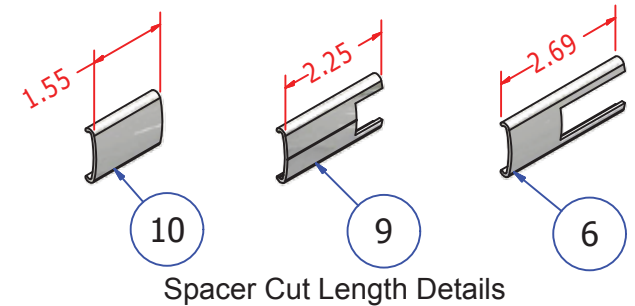
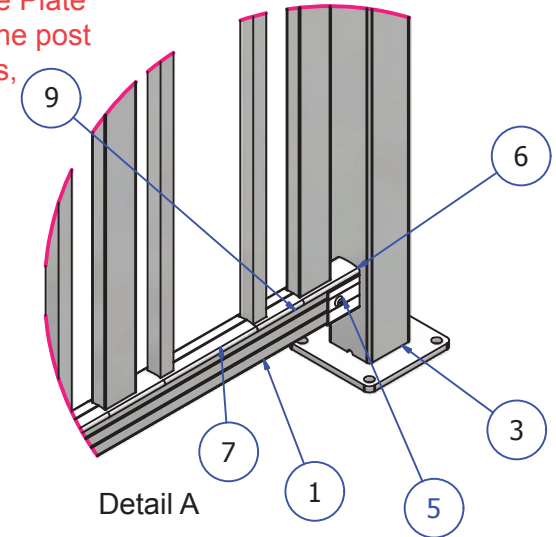
**IMPORTANT:** Before starting your ProBuilt Railing project, please ensure to check your local building codes and building permit requirements prior to installation. Building codes may vary. Always comply with all applicable building codes. Please check areas to be drilled are free from utilities, services and hazards. No member of BW Creative Wood Industries Ltd (BWC) or the Dealer shall be liable for any loss or damage resulting from the improper installation or use of this product. If any member of BWC or the Dealer becomes liable for any loss or damage, the aggregate liability of BWC company shall be limited to the retail purchase price of that product. For further information, please consult your authorized ProBuilt Dealer.

**Failure to follow these instructions could result in serious injury or death!**

# Design Idea #7: Single/Wide Picket Combination



For a great finishing detail, don't forget Base Plate Covers to hide the post mounting screws, Part # 7743.



Item	Qty	Part #	Description
1 & 2	1	7457	Top Rail & Bottom Rail, includes Part# 2110 Picket Gasket
3	2	7468	2in End Post
4	8	1022	Wide Picket
5	8	2027	#10 Pan Head Tech Screw
6	16	6776	Wide Picket Spacer cut to 2.69in
7	14	7406	Picket Spacer
8	14	7739	Picket
9	14	7406	Picket Spacer cut to 2.25in
10	4	7406	Picket Spacer cut to 1.55in

**IMPORTANT:** Before starting your ProBuilt Railing project, please ensure to check your local building codes and building permit requirements prior to installation. Building codes may vary. Always comply with all applicable building codes. Please check areas to be drilled are free from utilities, services and hazards. No member of BW Creative Wood Industries Ltd (BWC) or the Dealer shall be liable for any loss or damage resulting from the improper installation or use of this product. If any member of BWC or the Dealer becomes liable for any loss or damage, the aggregate liability of BWC company shall be limited to the retail purchase price of that product. For further information, please consult your authorized ProBuilt Dealer.

**Failure to follow these instructions could result in serious injury or death!**

This diagram demonstrates a 42" high railing system. ProBuilt Railing is also available in a 36" rail system. Ask your ProBuilt Railing Dealer for product information.

For more information about ProBuilt Railing and our Dealer Locator, please visit [www.ProBuiltRailings.com](http://www.ProBuiltRailings.com).