



LOW MAINTENANCE | SIMPLE TO INSTALL | RUST PROOF |  
 CHOOSE FROM THREE STYLES AND 40 COLOURS |  
 PATENTED PICKET SPACERS | LIMITED LIFETIME WARRANTY |



Glass Railing



**Wind a Problem?**

Problem solved with ProBuilt™'s high wind wall system. This is a maintenance free system with 5' high glass perfect for around the BBQ or Hot Tub on those windy days.



Wind Wall



Manufacturers of premium railing systems,  
 components and accessories since 1974

ProBuilt™ Do-it-Yourself Railings is one of a full range of exterior and interior railing products from BW Creative Wood Industries Ltd. BW Creative is one of the world's leading manufacturers of railing systems, components and accessories for both interior stairways and exterior decks or porches. The outstanding success of our products is based on a four decade long commitment to quality, innovation and continuous improvement. See our full line of products at [www.bwcreativewood.com](http://www.bwcreativewood.com)

Your authorized  dealer

Toll Free 1.800.667.8247  
[www.ProBuiltrailings.com](http://www.ProBuiltrailings.com)  
[www.bwcreativewood.com](http://www.bwcreativewood.com)  
 Revised Jan 2012 Printed in Canada

Manufacturers of premium railing systems,  
 components and accessories since 1974



Railing & Stair

*"I have recently installed ProBuilt™ Aluminum Railing System in my home, and am immensely pleased with the quality of the product. The finishing is faultless, the packaging meticulous. The instructions were easy to follow, and all the parts fit perfectly."*

K.C. Elsworth  
Knoxville, TN



Wide Picket & Glass combination



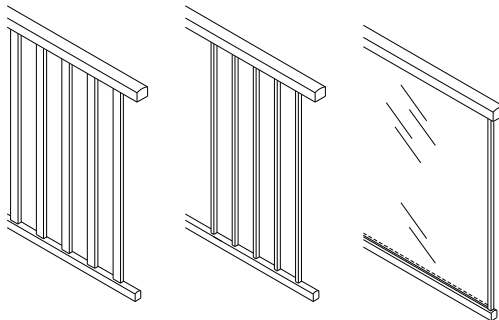
Wide Picket Railing

## beautiful

If you are looking to renovate, add a touch of class, even increase the value of your property, ProBuilt™ DIY Railings offer a practical, do-it-yourself solution that's guaranteed to enhance your home's curb appeal. Use ProBuilt™ on staircases, or to safely and elegantly enclose decks, balconies or porches.

### three railing styles

Two finished rail height 36" or 42"



wide picket

regular picket

glass

### four standard colour choices



polar white



sandal-wood



tudor brown



midnight black

### Also available in 36 Diamond Series Colours

Colours may not be exactly as shown. See your authorized ProBuilt™ dealer for actual colour samples and options.

## long lasting & low maintenance

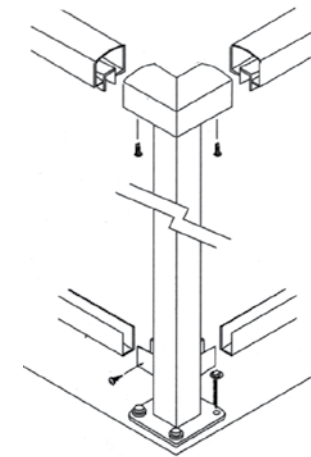
ProBuilt™ railings are fabricated using the latest technology in aluminum alloys and exterior metal coatings. Our paint is formulated to exceed the toughest standards in the industry. The result is no rusting, rotting or repainting and low maintenance. We guarantee it! In fact, we guarantee that the standard ProBuilt™ factory paint finish on our residential aluminum railings will not split, peel, flake or blister for as long as you own your railing.\*

**For more information and where to purchase ProBuilt™ DIY products, visit our website at [www.ProBuiltrailings.com](http://www.ProBuiltrailings.com) or call us toll free at 1-800-667-8247.**

\*see Limited Warranty for details & exclusions. Available online at [www.probuiltrailings.com](http://www.probuiltrailings.com)

## easy to install

You don't need a professional to install a ProBuilt™ Aluminum Railing System. You can do it yourself quickly and easily. All ProBuilt™ railing systems (posts, rails, spacers and pickets) slide and snap into place in less than ten simple steps for professional-looking results.



### Here's what you'll need:

- Hacksaw or 10" Mitre Saw with Thin (Kerf) Blade
- Electric Drill
- 1/8" and 3/16" Drill Bits
- 3/8" and 1/2" Hex Head Driver
- No.2 Square Screwdriver
- Measuring Tape
- Rubber Mallet

Note: Please ensure that you use an ACQ compatible fastener when mounting to pressure treated wood.



Regular Picket Railing